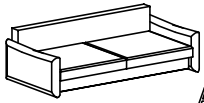
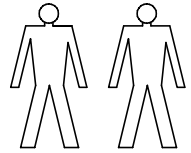
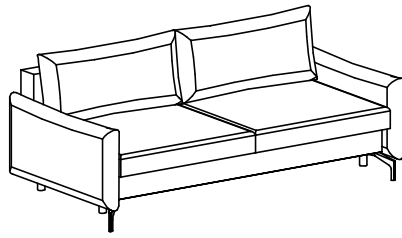
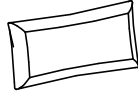


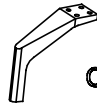
MIDORI



A - 1 St.



B - 2 St.



C - 2 St.
15,5cm



D - 8 St.
M6 x 35

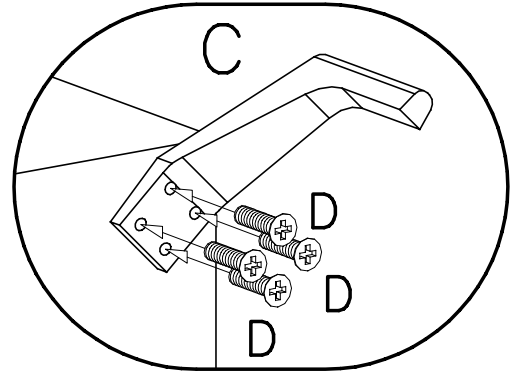
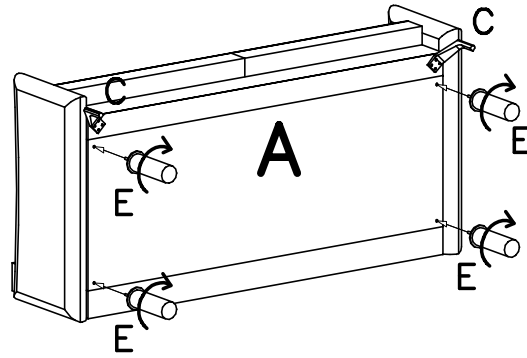
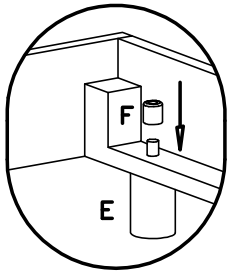


E - 4 St.
10cm

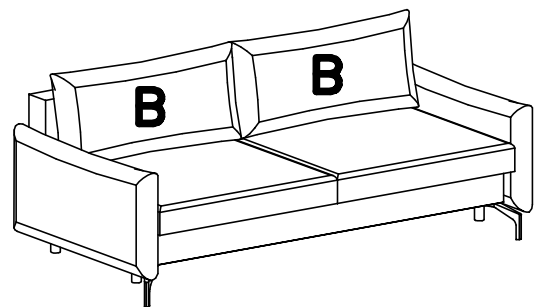
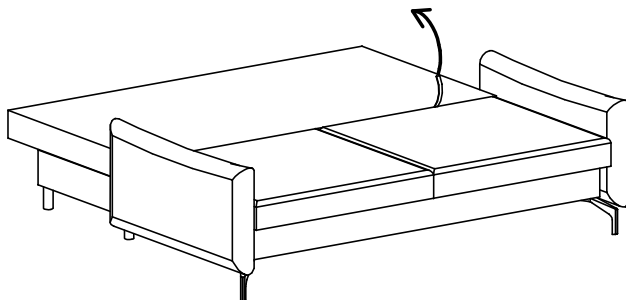
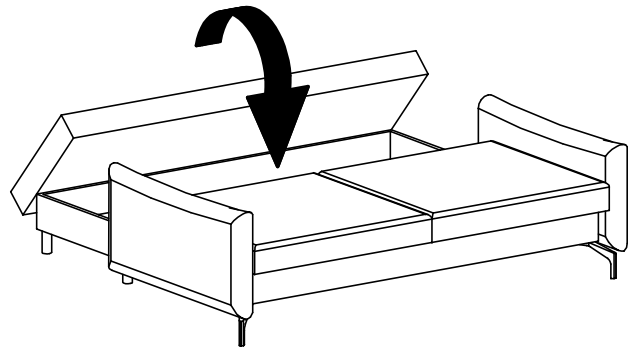
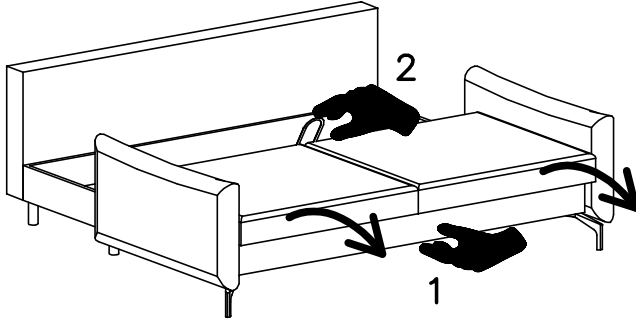


F - 4 St.

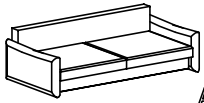
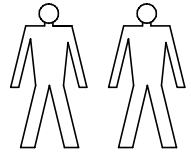
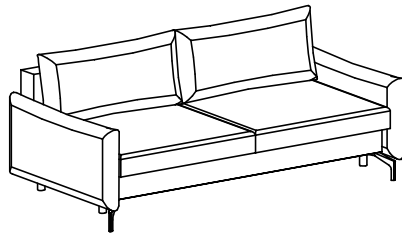
I



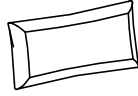
II



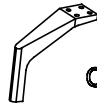
MIDORI



A - 1 St.



B - 2 St.



C - 2 St.
15,5cm



D - 8 St.
M6 x 35

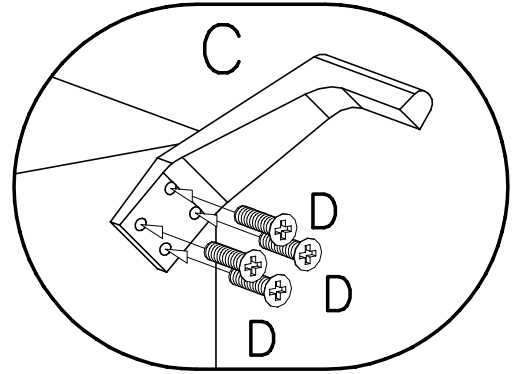
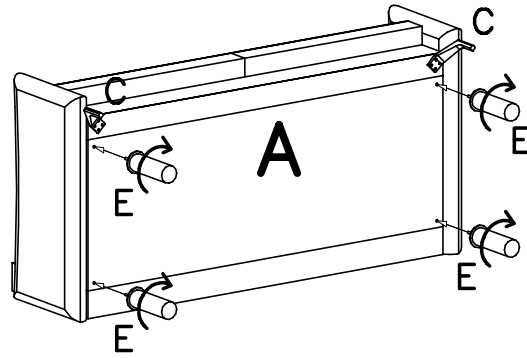
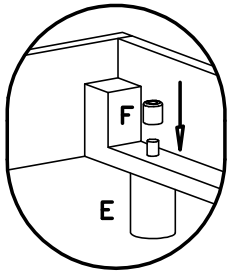


E - 4 St.
10cm

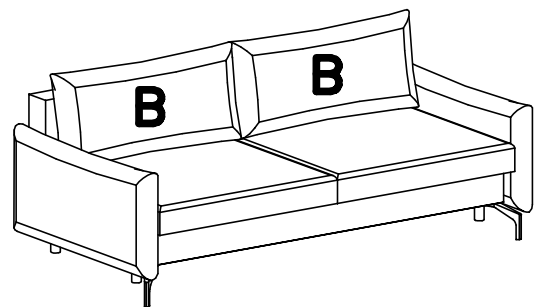
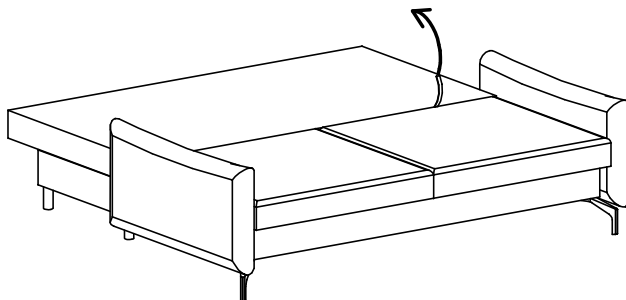
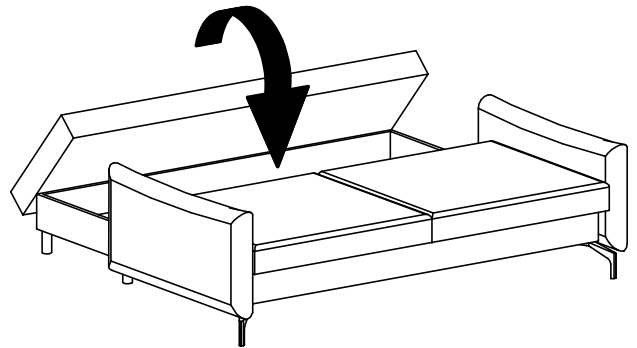
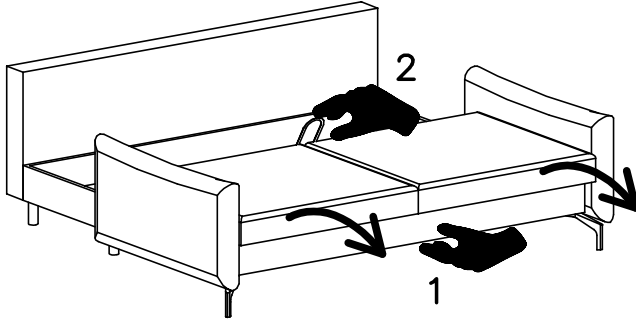


F - 4 St.

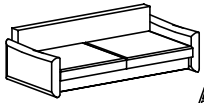
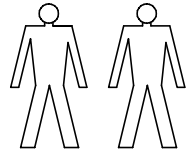
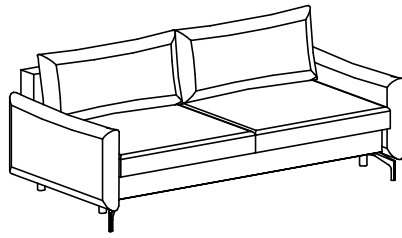
I



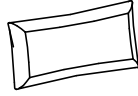
II



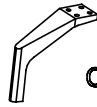
MIDORI



A - 1 St.



B - 2 St.



C - 2 St.
15,5cm



D - 8 St.
M6 x 35

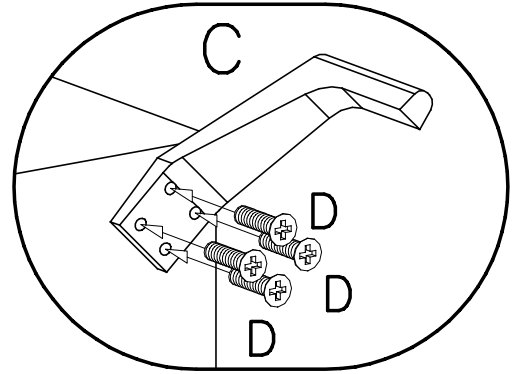
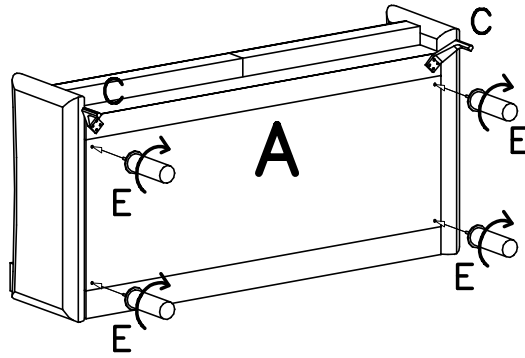
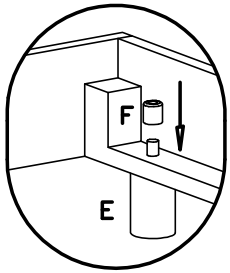


E - 4 St.
10cm

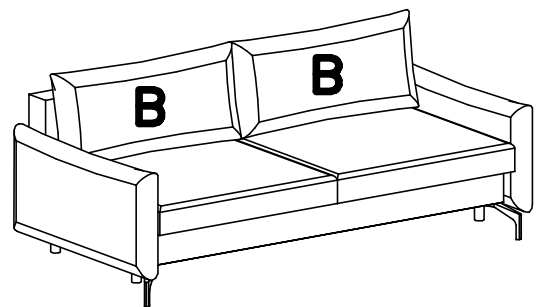
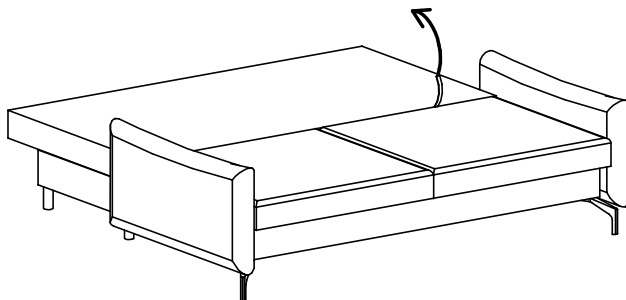
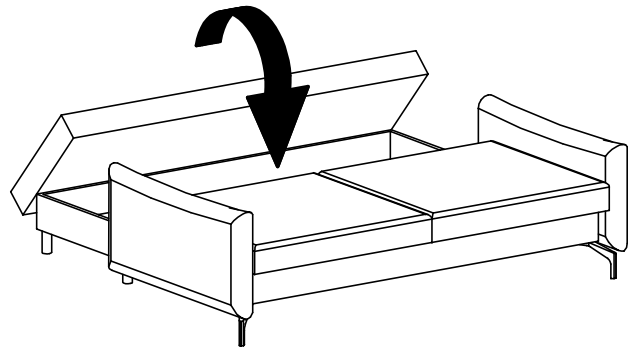
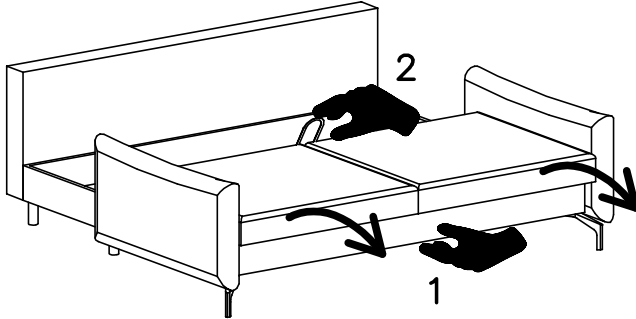


F - 4 St.

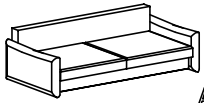
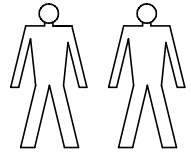
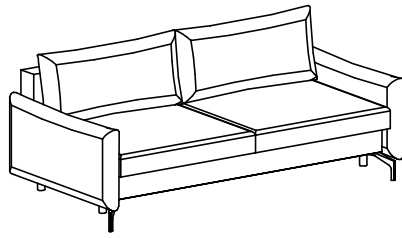
I



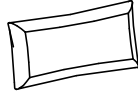
II



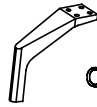
MIDORI



A - 1 St.



B - 2 St.



C - 2 St.
15,5cm



D - 8 St.
M6 x 35

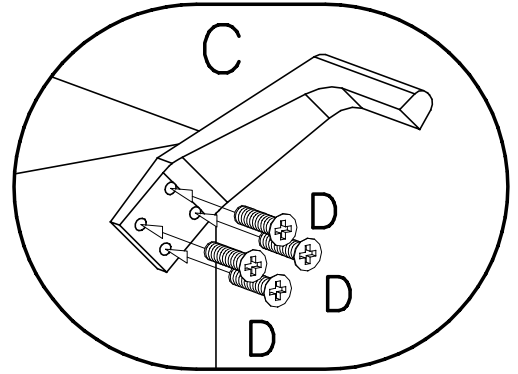
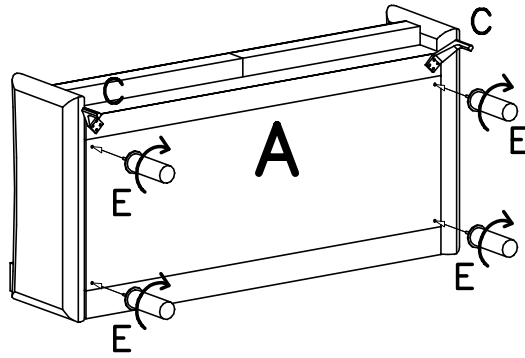
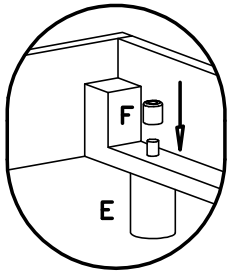


E - 4 St.
10cm



F - 4 St.

I



II

